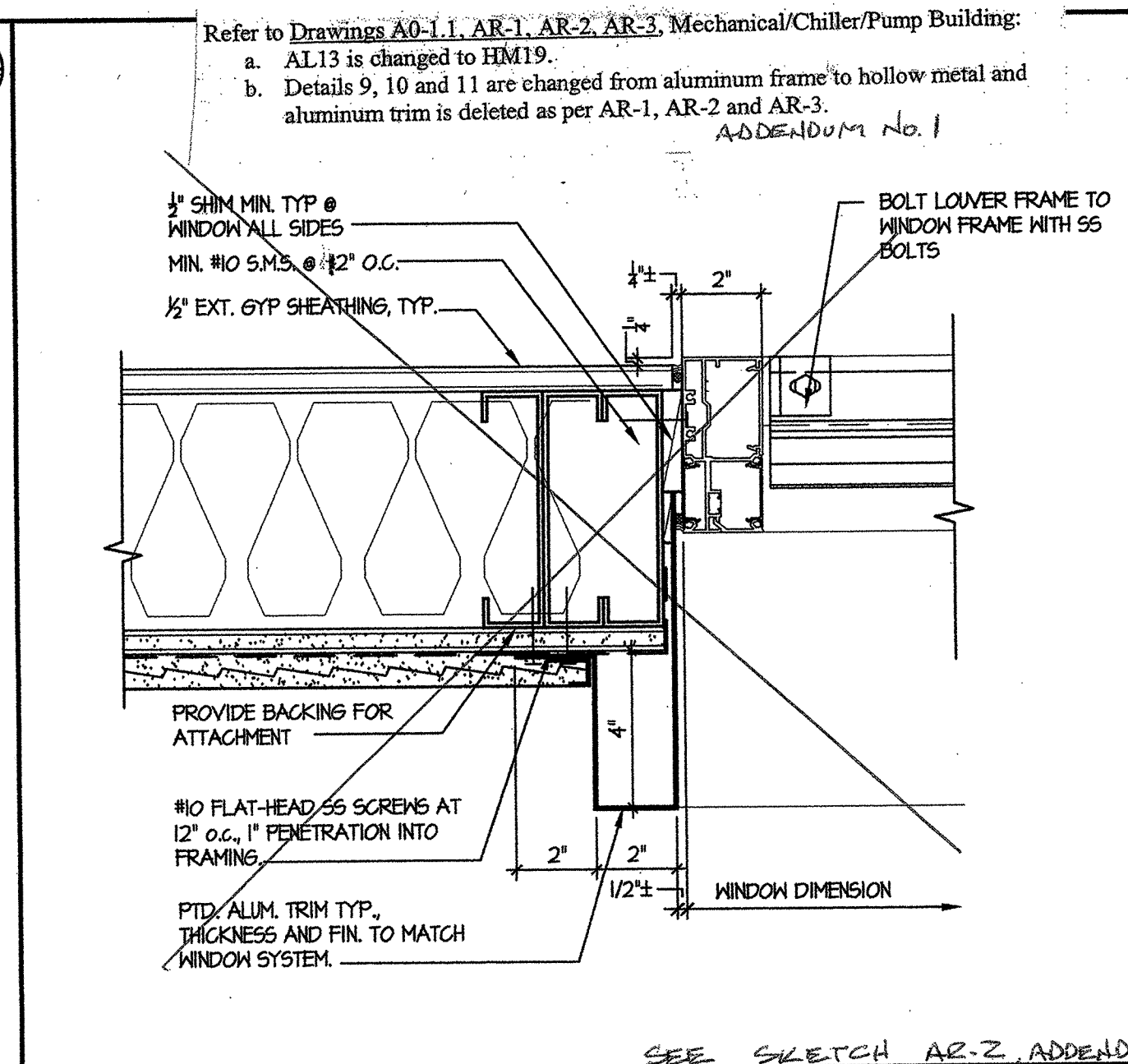
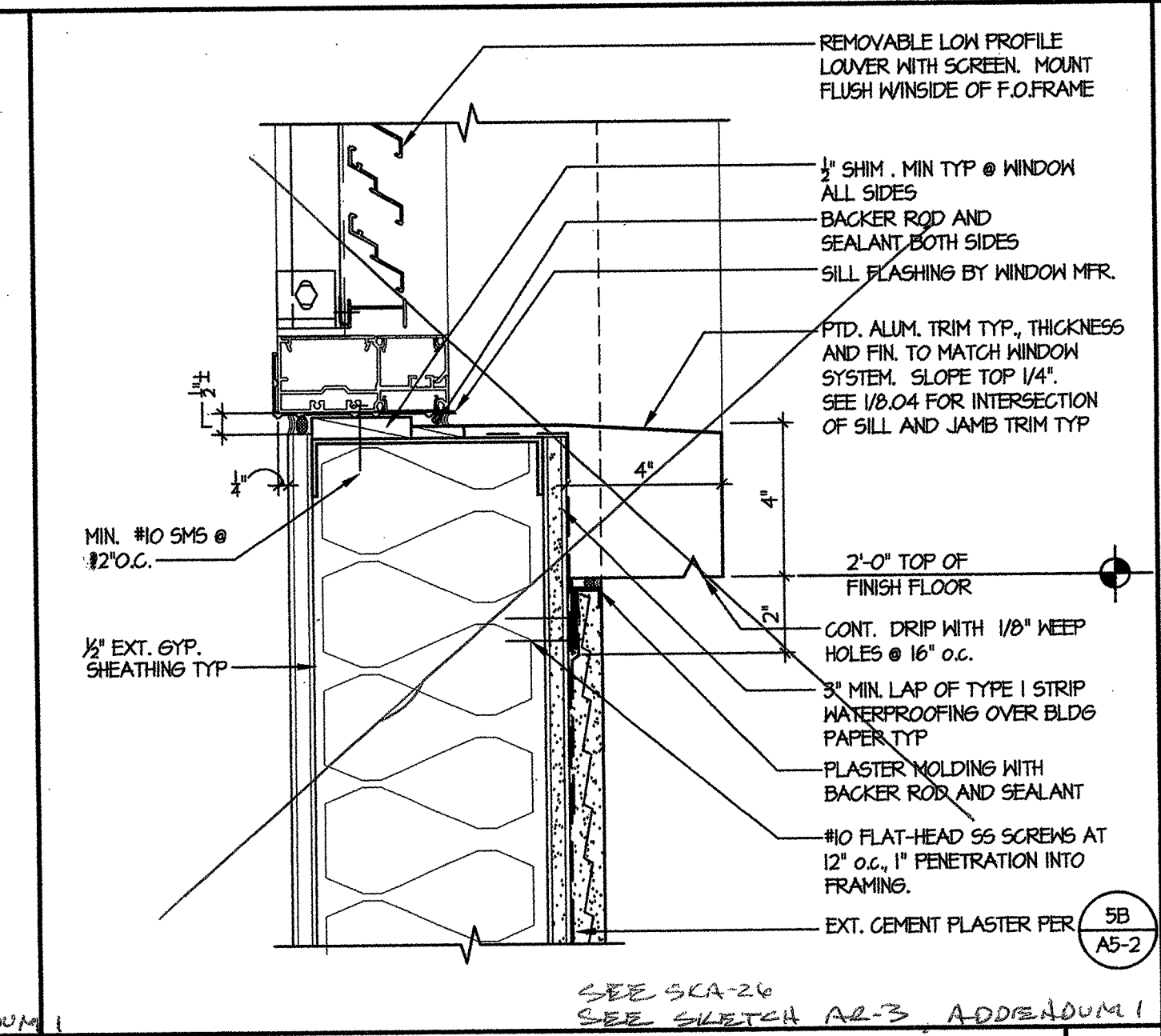


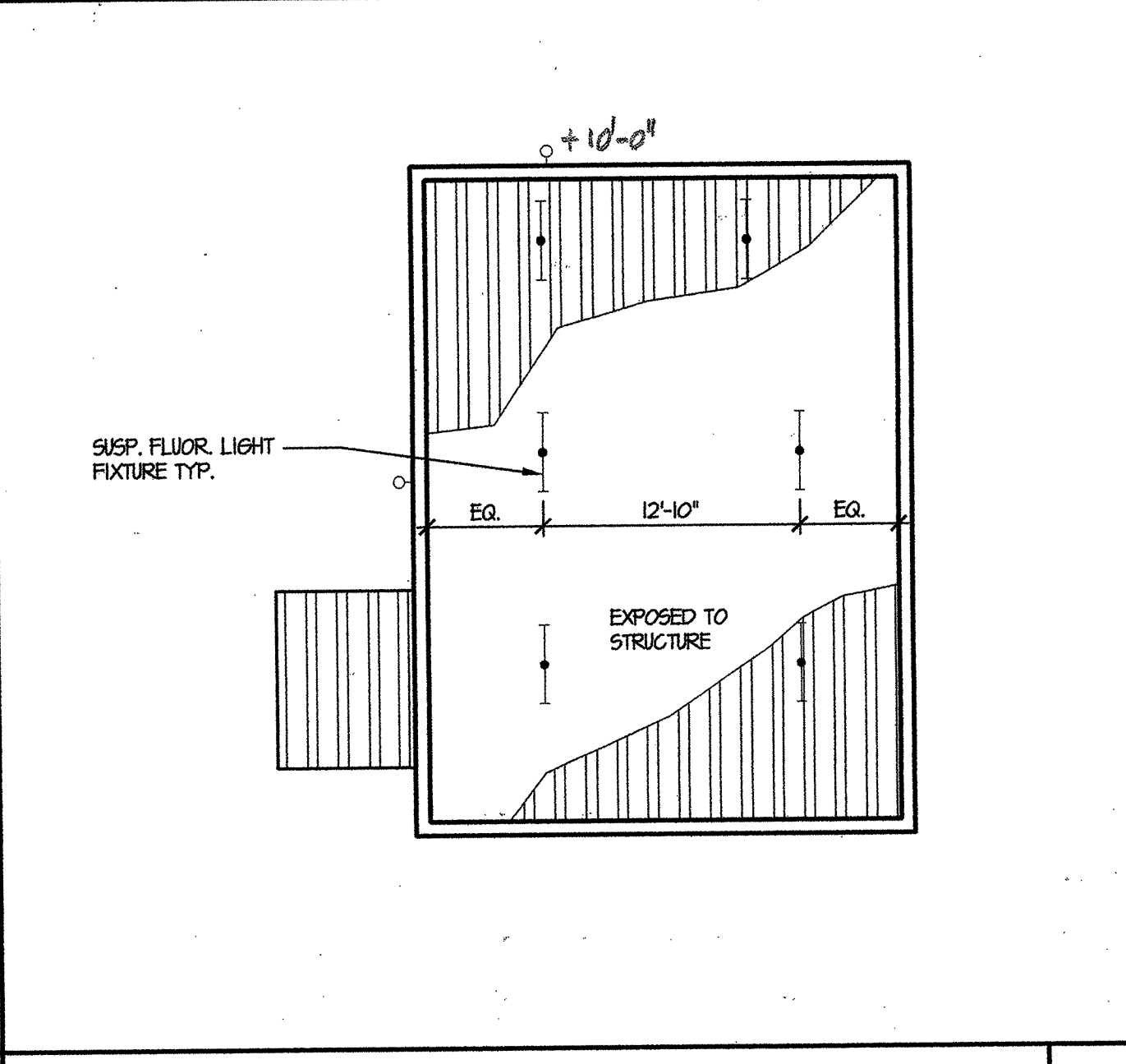
MECHANICAL LOUVER HEAD @ PLASTER SCALE: 3\"/>



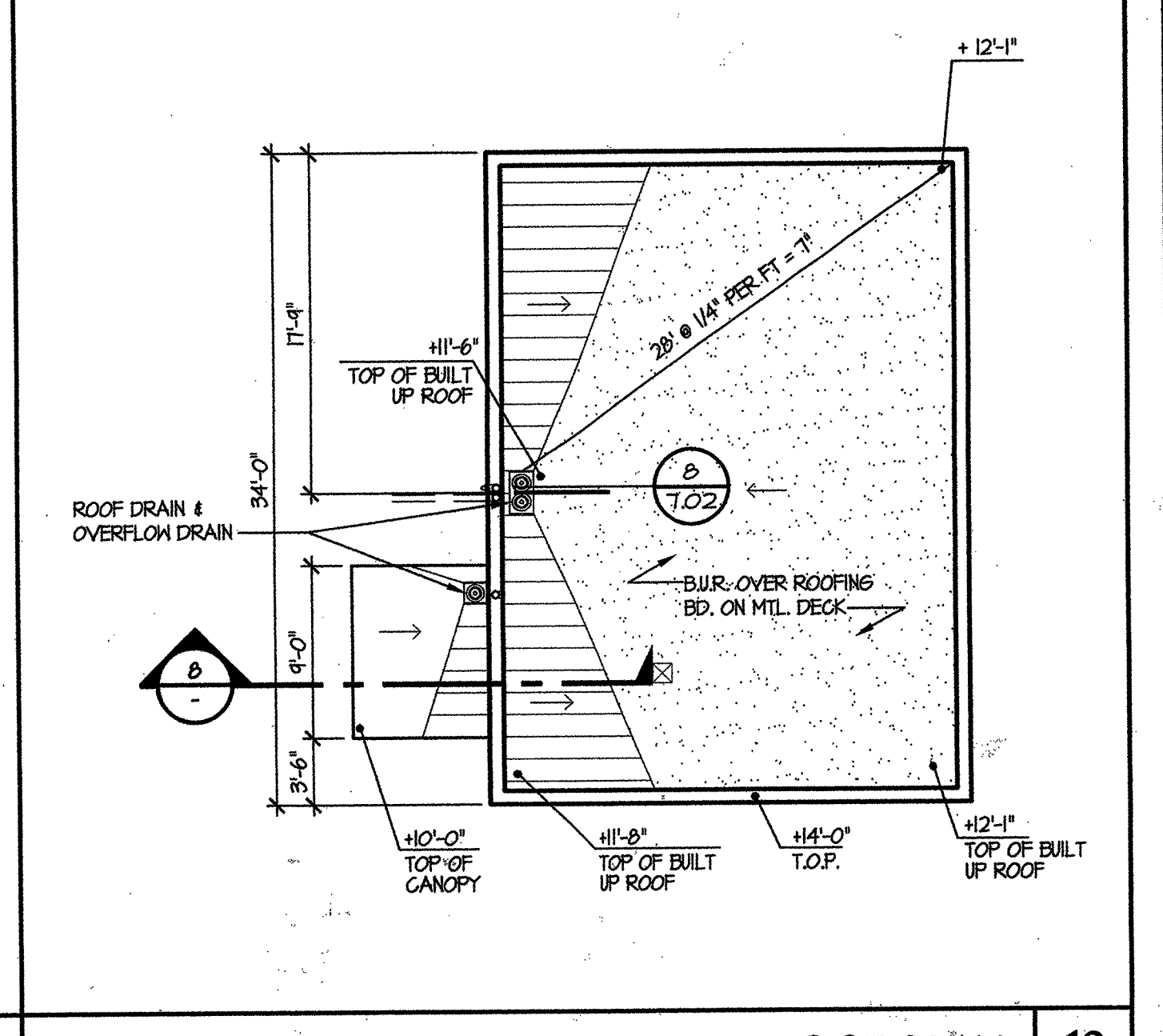
MECHANICAL LOUVER JAMB @ PLASTER SCALE: 3\"/>



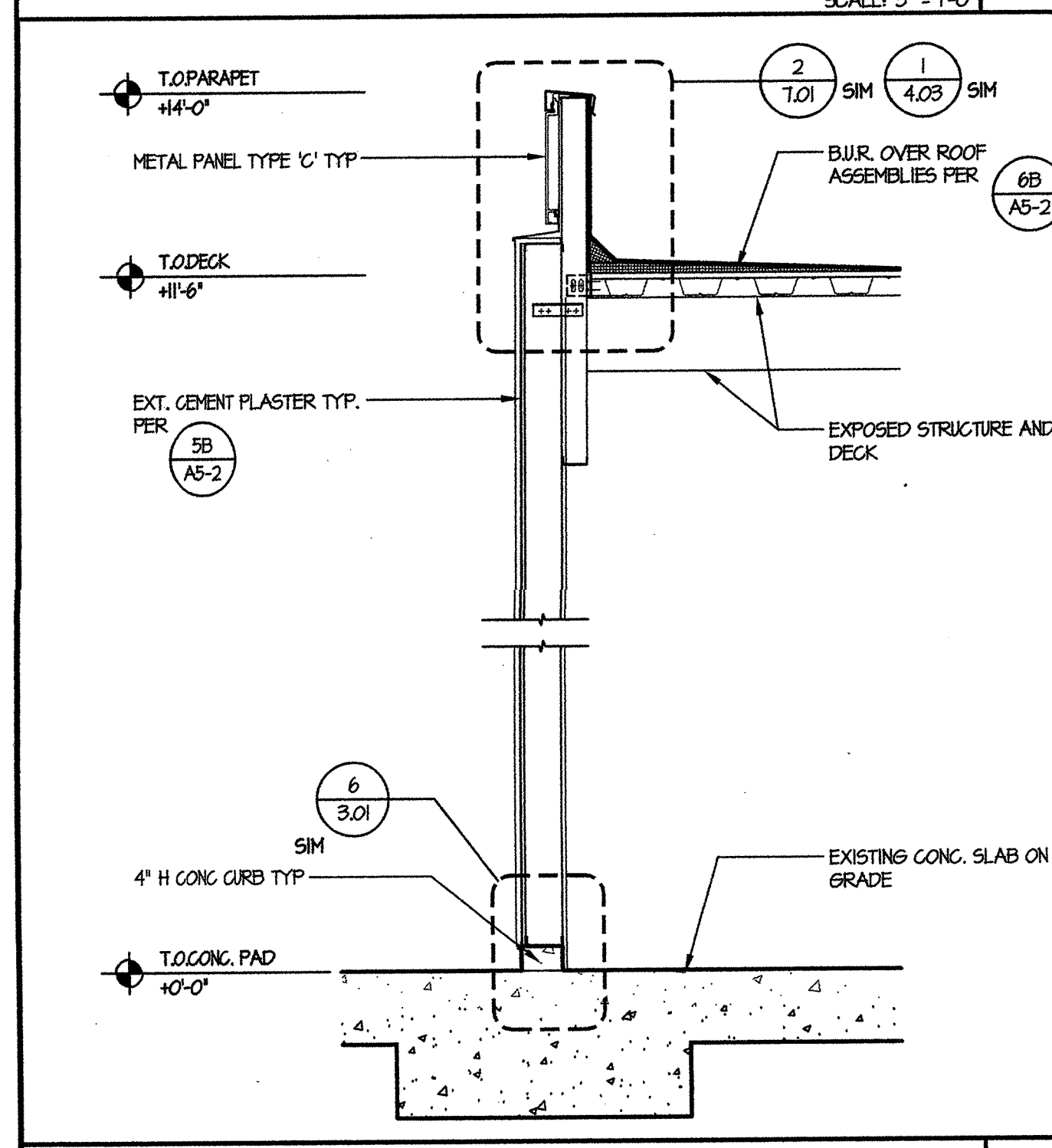
MECHANICAL LOUVER SILL @ PLASTER SCALE: 3\"/>



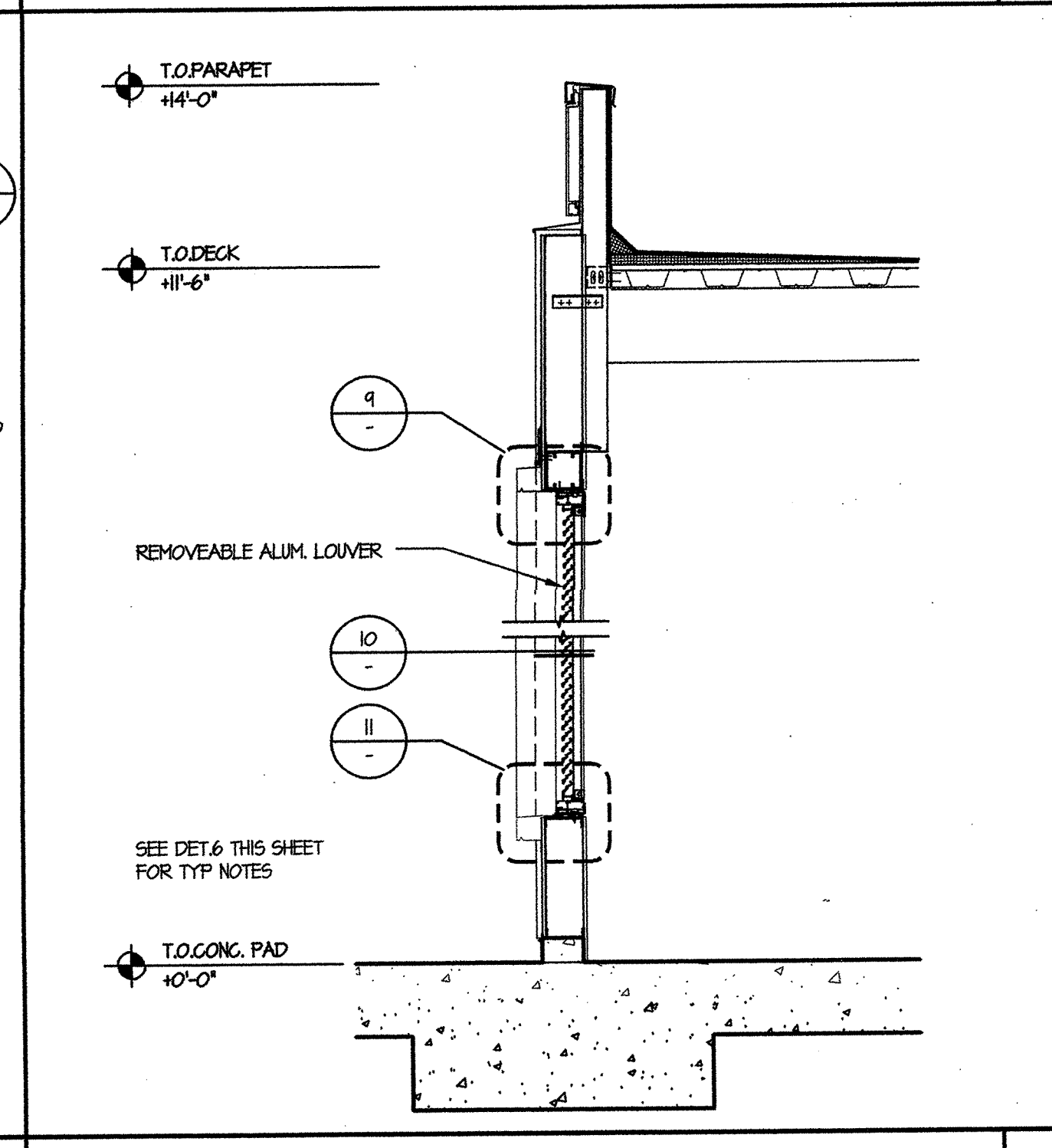
REFLECTED CEILING PLAN SCALE: 1/8\"/>



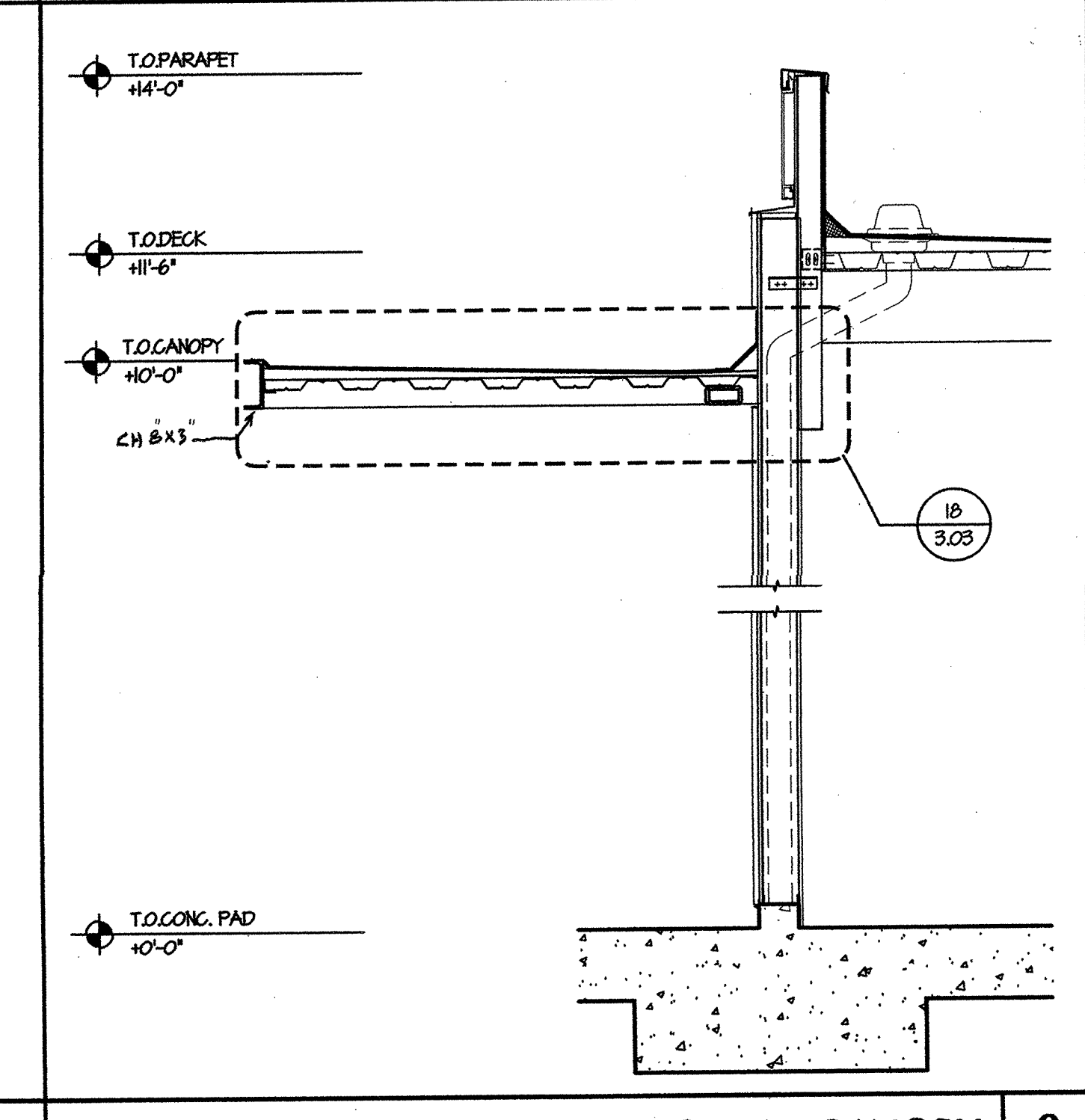
ROOF PLAN SCALE: 1/8\"/>



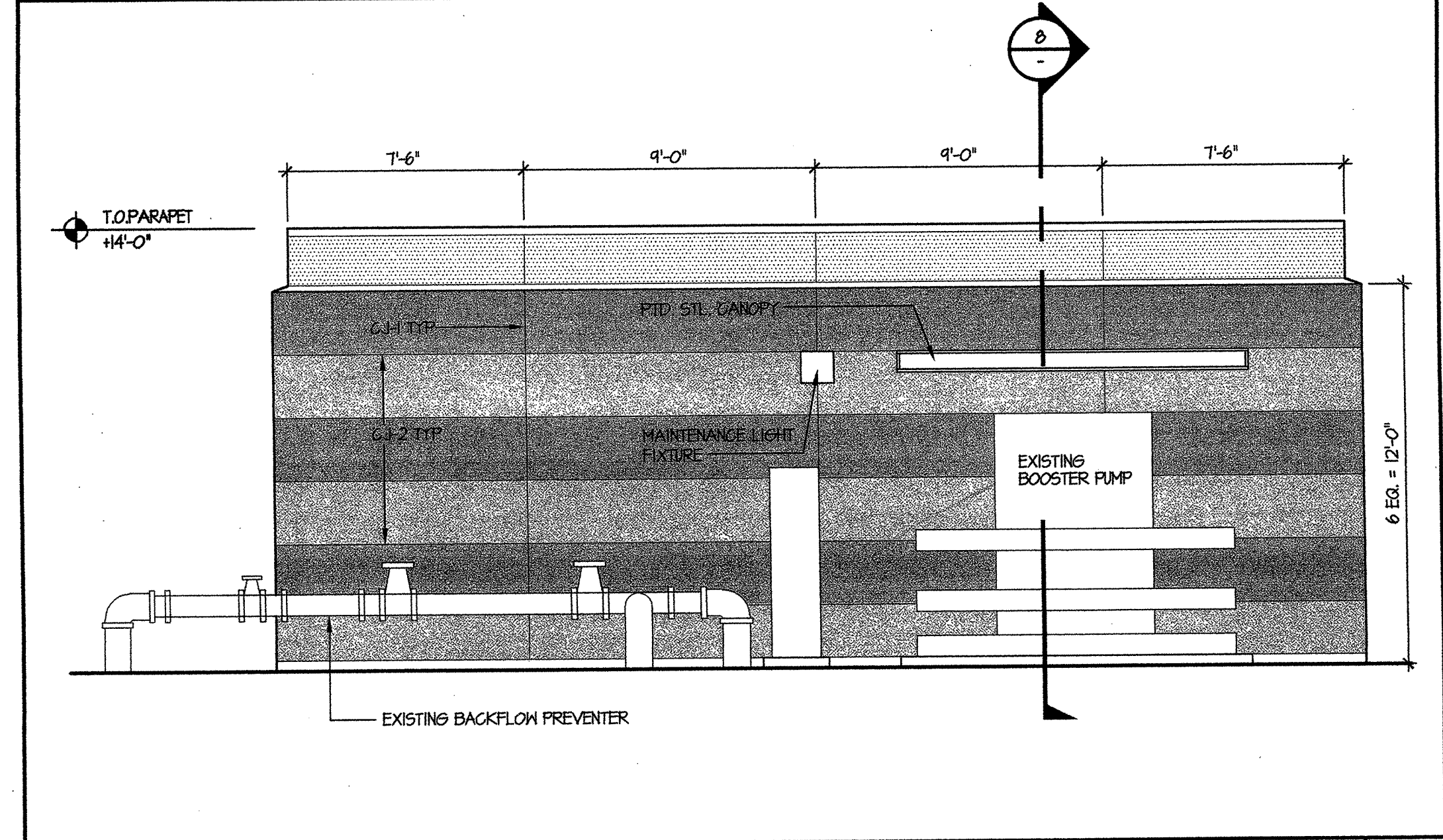
TYP. WALL SECTION SCALE: 1/2\"/>



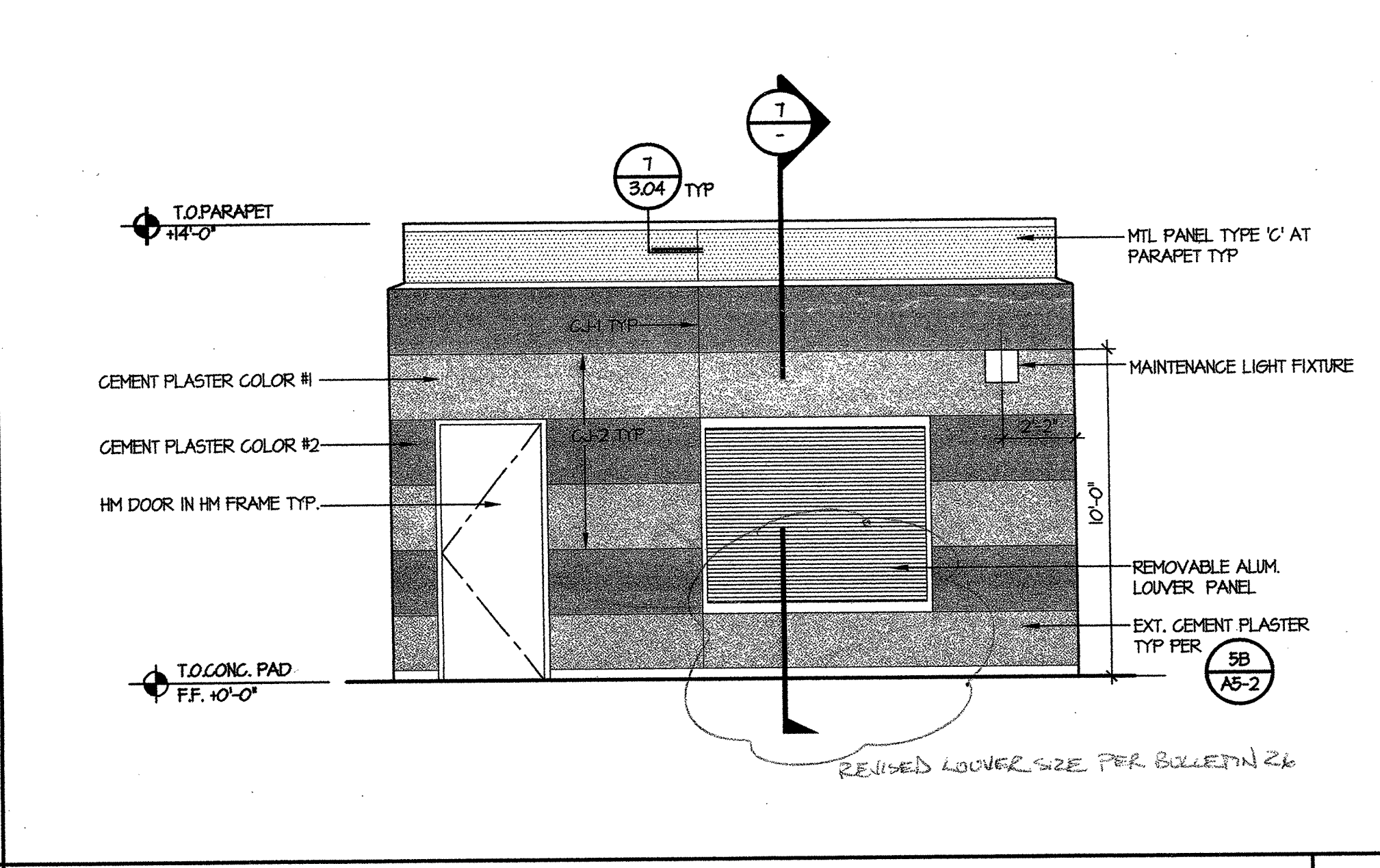
WALL SECTION AT LOUVER SCALE: 1/2\"/>



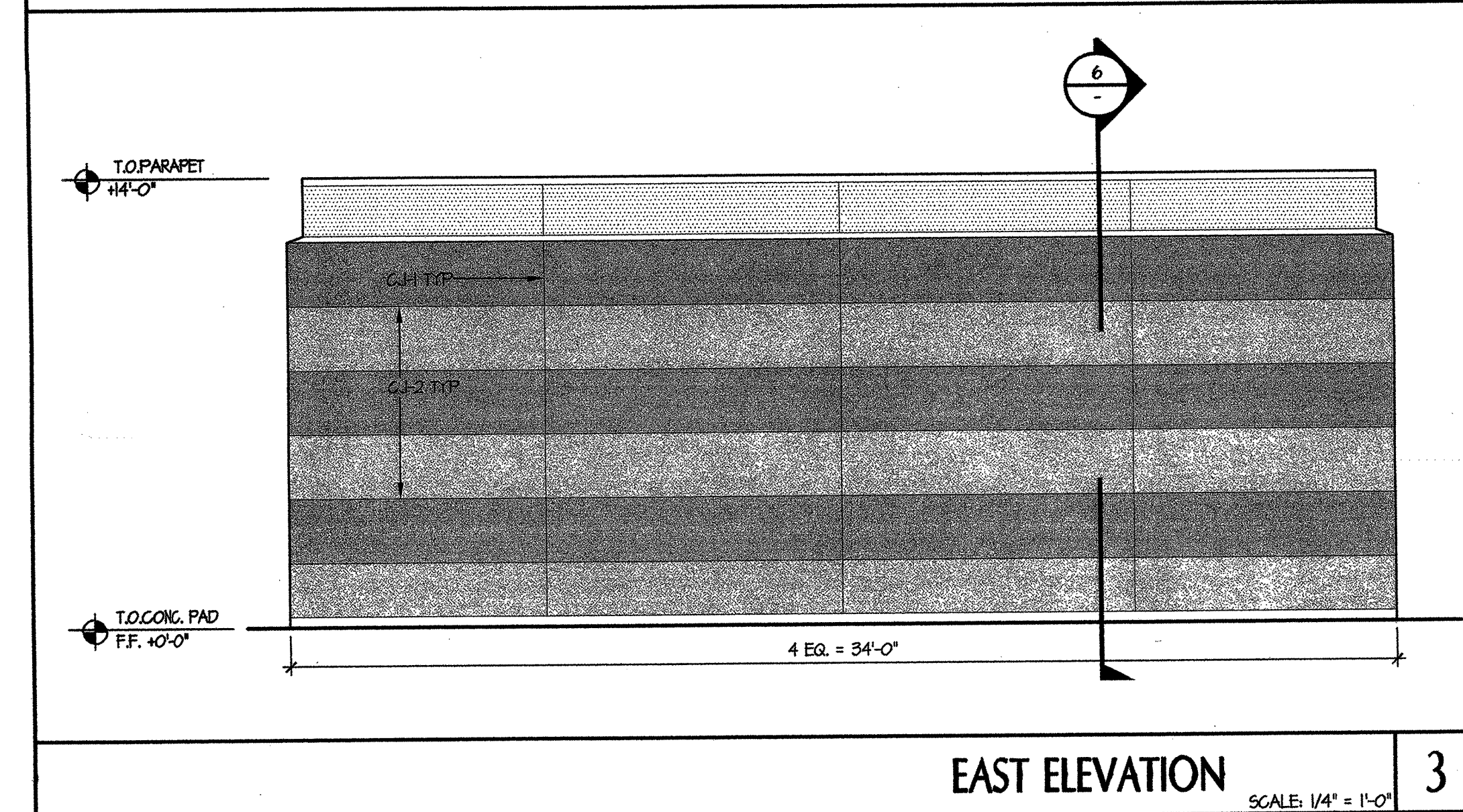
WALL SECTION AT CANOPY SCALE: 1/2\"/>



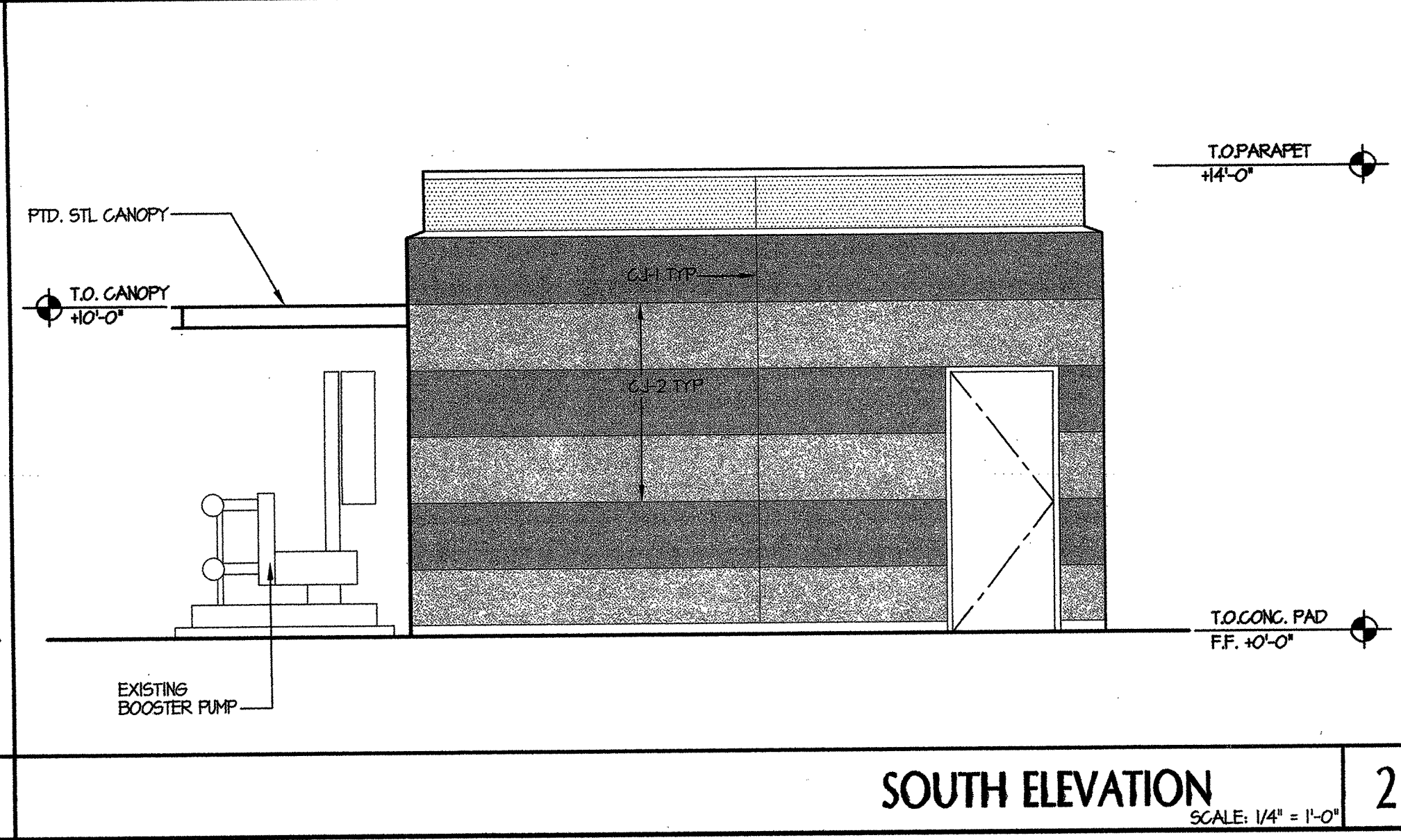
WEST ELEVATION SCALE: 1/4\"/>



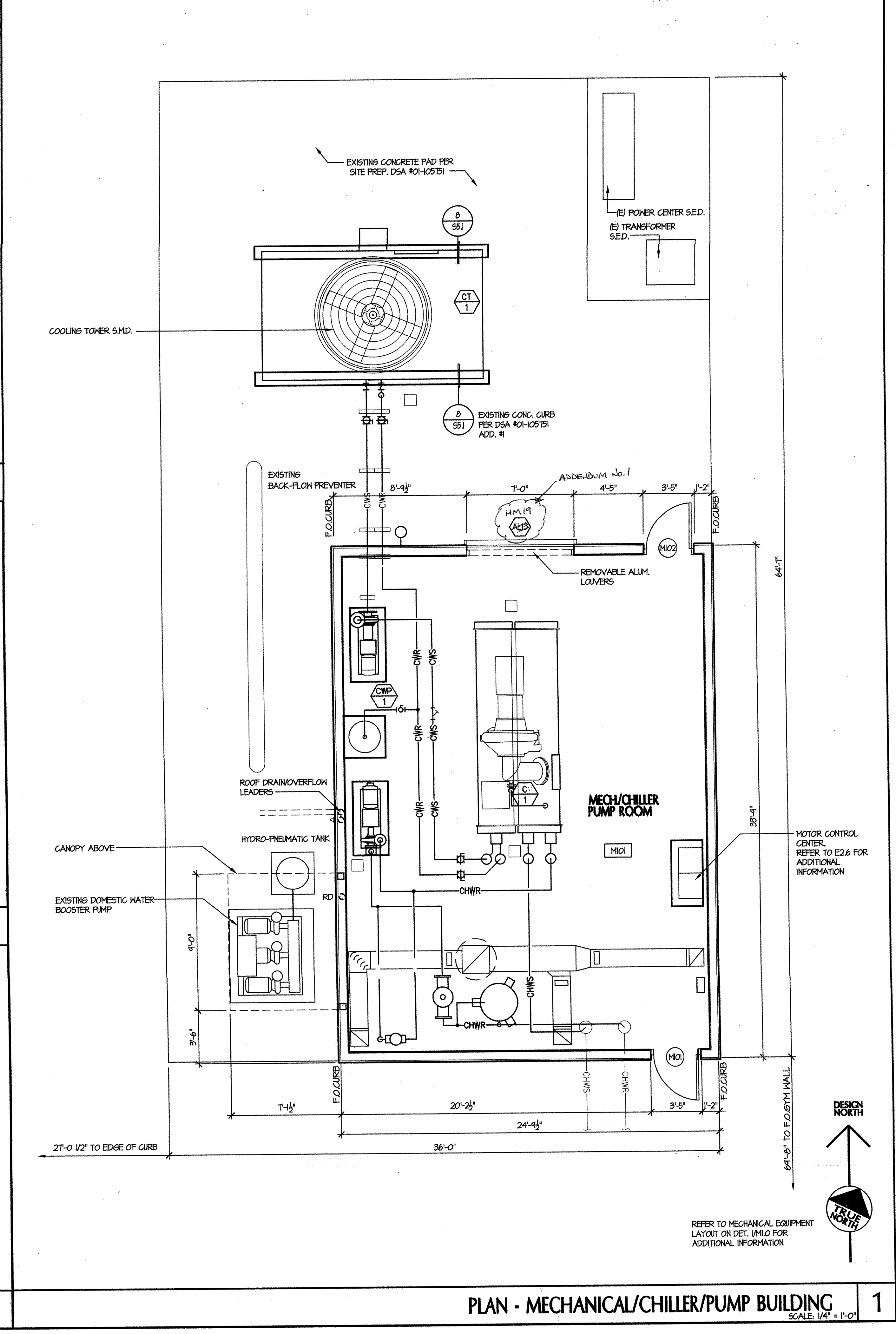
NORTH ELEVATION SCALE: 1/4\"/>



EAST ELEVATION SCALE: 1/4\"/>



SOUTH ELEVATION SCALE: 1/4\"/>



PLAN - MECHANICAL/CHILLER/PUMP BUILDING SCALE: 1/4\"/>

**tBP**  
architecture  
planning  
interiors  
management

ARCHITECT • REGISTERED IN CALIFORNIA • STATE LICENSE # 11313

tBP/Architecture  
1000 Burner Avenue, Suite 140  
Concord, CA 94520  
P: 925.246.6419 F: 925.246.6495

REGISTRATION STAMP  
DIVISION OF THE STATE ARCHITECT  
OFFICE OF REGULATION SERVICES

APP. NO. 01-10000  
EXPIRES 12/31/05  
DATE 11/13/05

REG. NO. 921

Division of the State Architect  
Regional Office  
1515 Clay St., Suite 1201  
Oakland, CA 94612  
P: 415-996-9500 F:

**SCIENCE BUILDING  
LOS MEDANOS COLLEGE**

Contra Costa Community College District

tBP project number : 20241.00  
file name : A-011.DWG  
drawn by : checked by :  
date : NOVEMBER 15, 2004  
Rev. date: description:

drawing title:  
**MECHANICAL/CHILLER/  
PUMP BUILDING**

LMC SCIENCE 313-023-112.01-0-00.00  
drawing no: **A0-11**