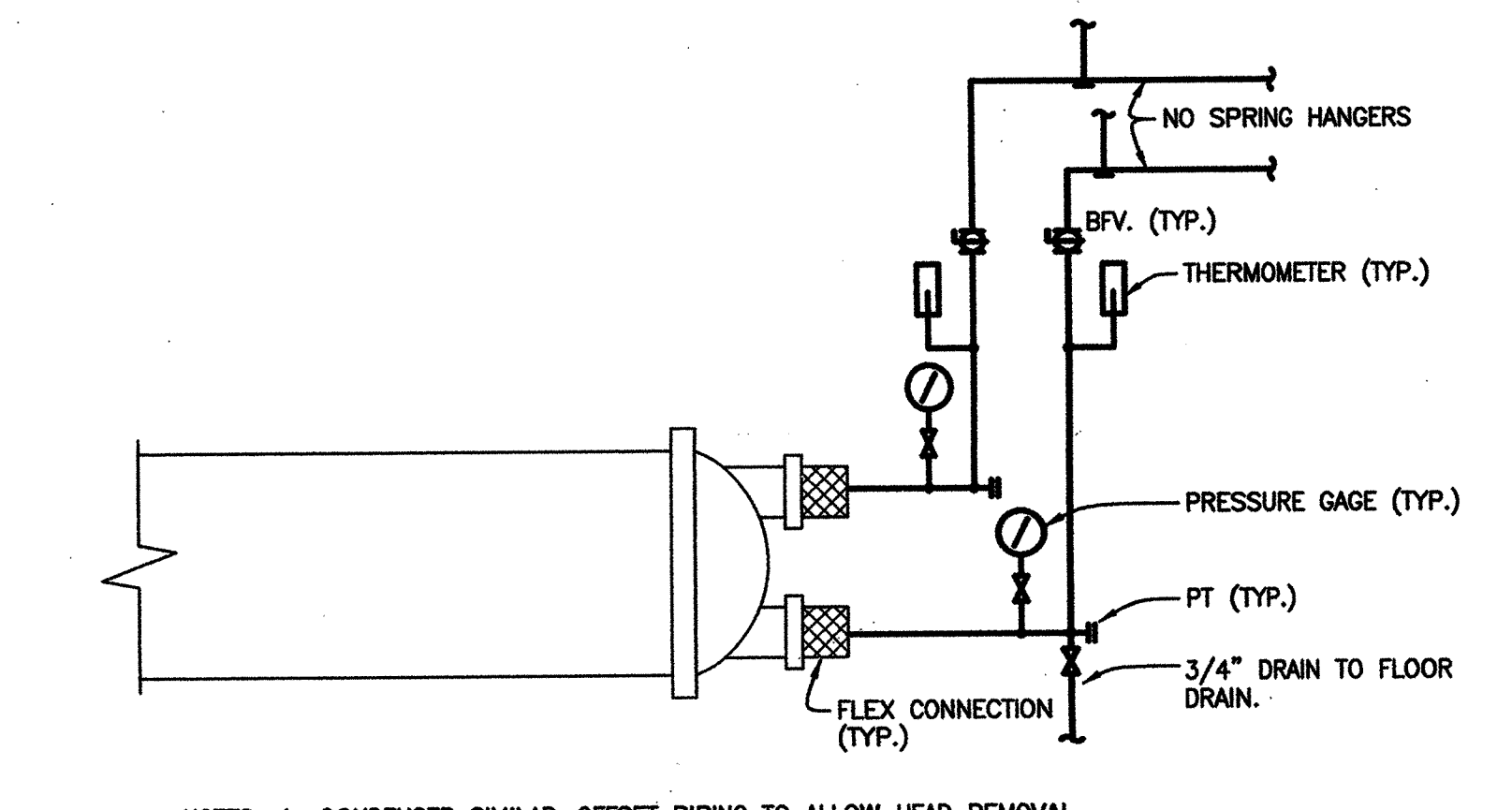


AIR CONDITIONING - MECHANICAL/CHILLER/PUMP BUILDING 1 M1.0

SCALE: 1/4"=1'-0"

NOTES:

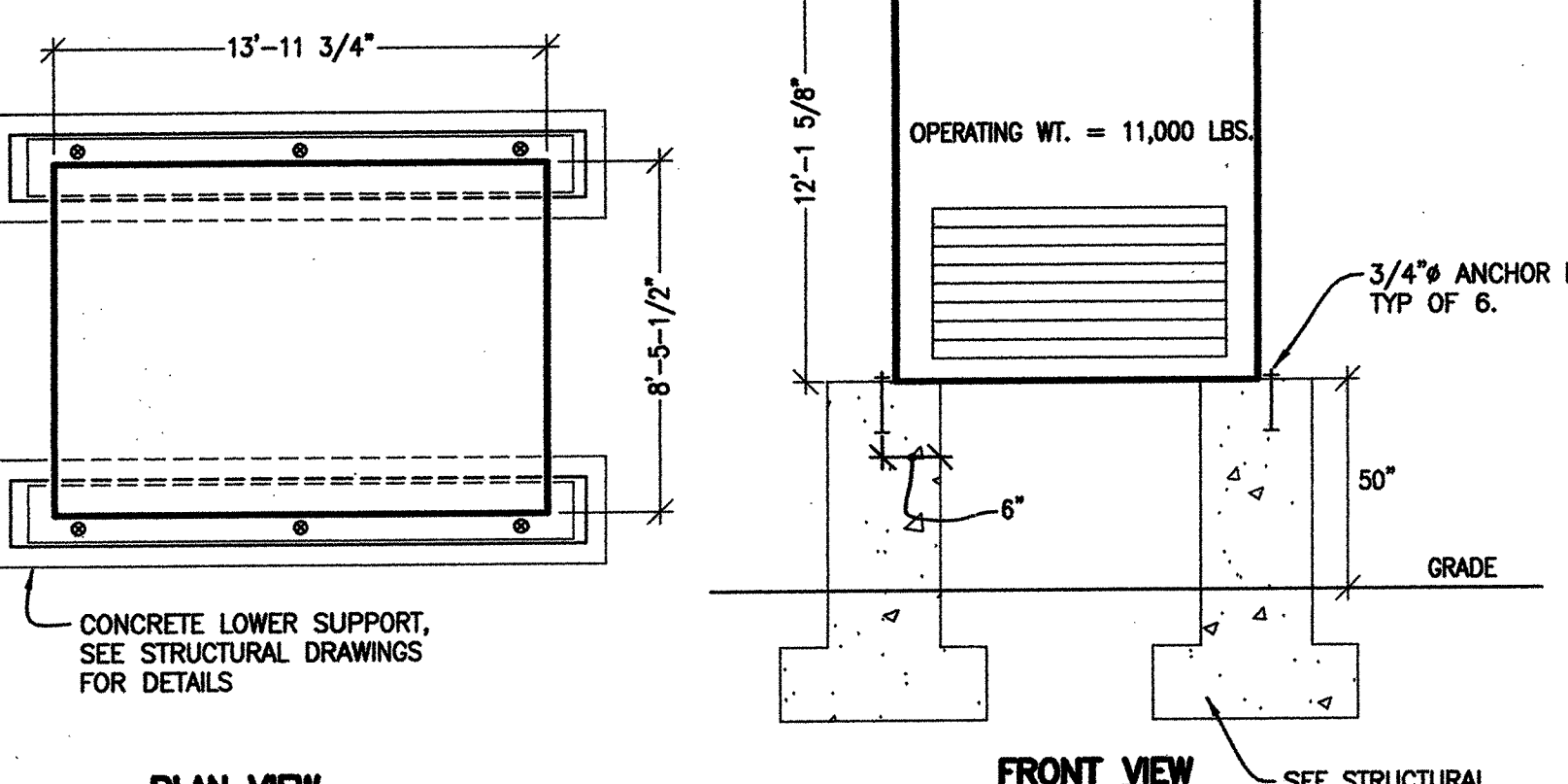
- OUTSIDE EACH CHILLER EXIT DOOR PROVIDE THE FOLLOWING PER CMC 1108.5 AND CMC 1109.4:
 - BREAKGLASS TYPE ON ONLY SWITCH TO START PURGE EXHAUST FAN IF NOT ON MANUAL RESET.
 - BREAKGLASS TYPE OFF ONLY CONTROL FOR ALL EQUIPMENT IN THE CHILLER ROOM THAT IS NOT REQUIRED FOR PURGE OPERATION. AUTOMATIC ACTIVATION OF SHUT OFF ALSO REQUIRED WHEN REFRIGERANT MONITOR ALARMS.



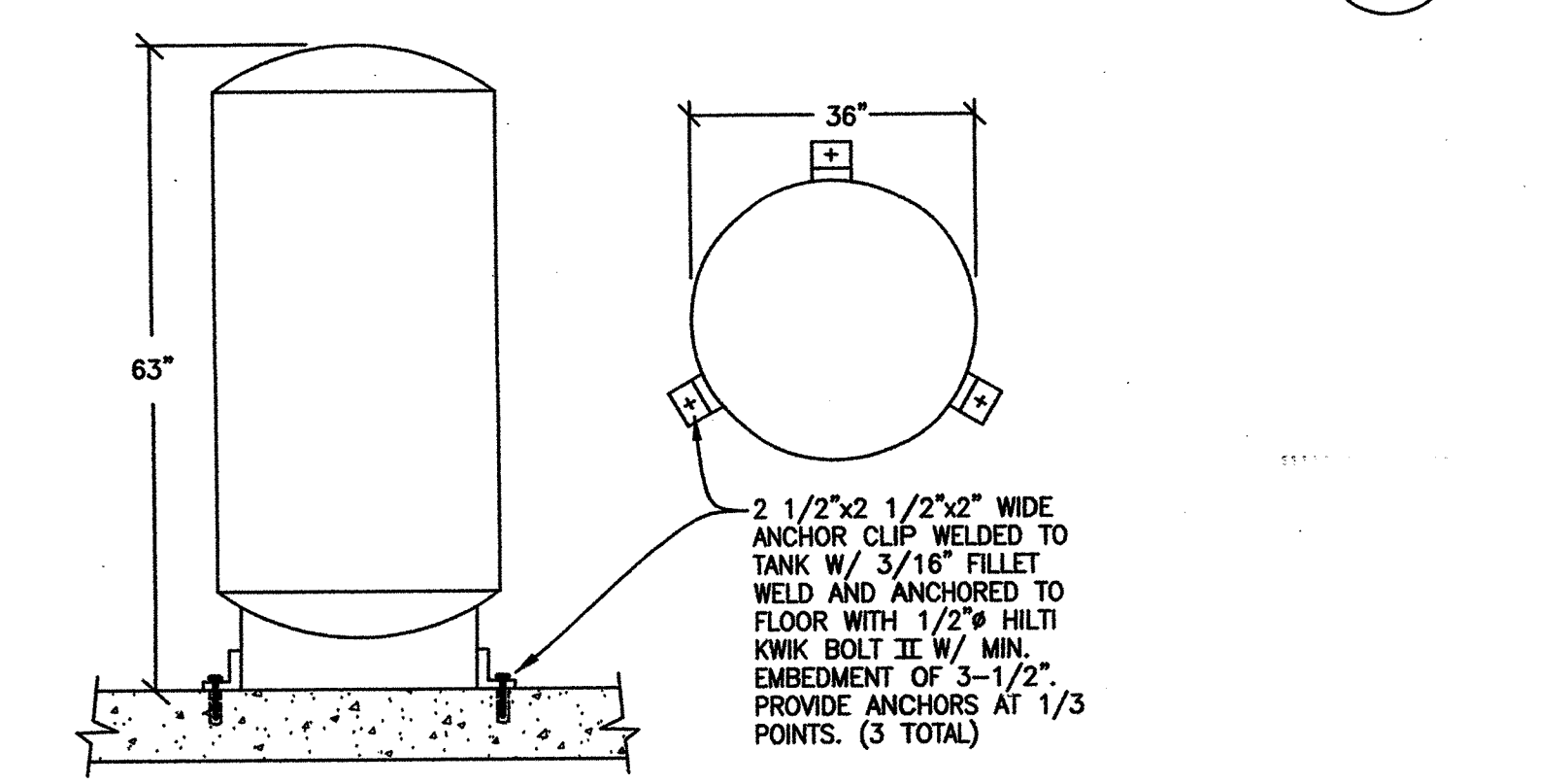
EVAPORATOR/ PIPING CONNECTION DETAIL 2 M1.0

NOTES: 1. CONDENSER SIMILAR, OFFSET PIPING TO ALLOW HEAD REMOVAL.

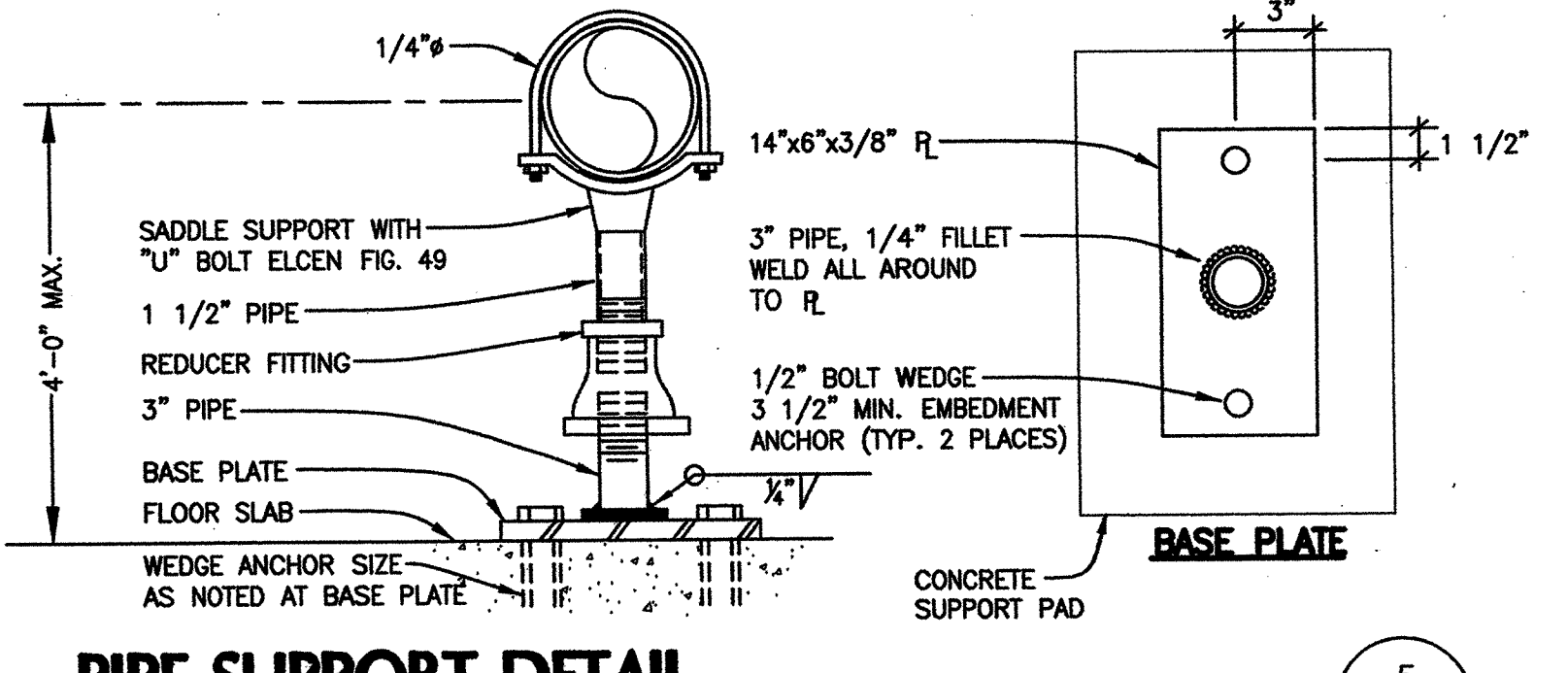
NO SCALE



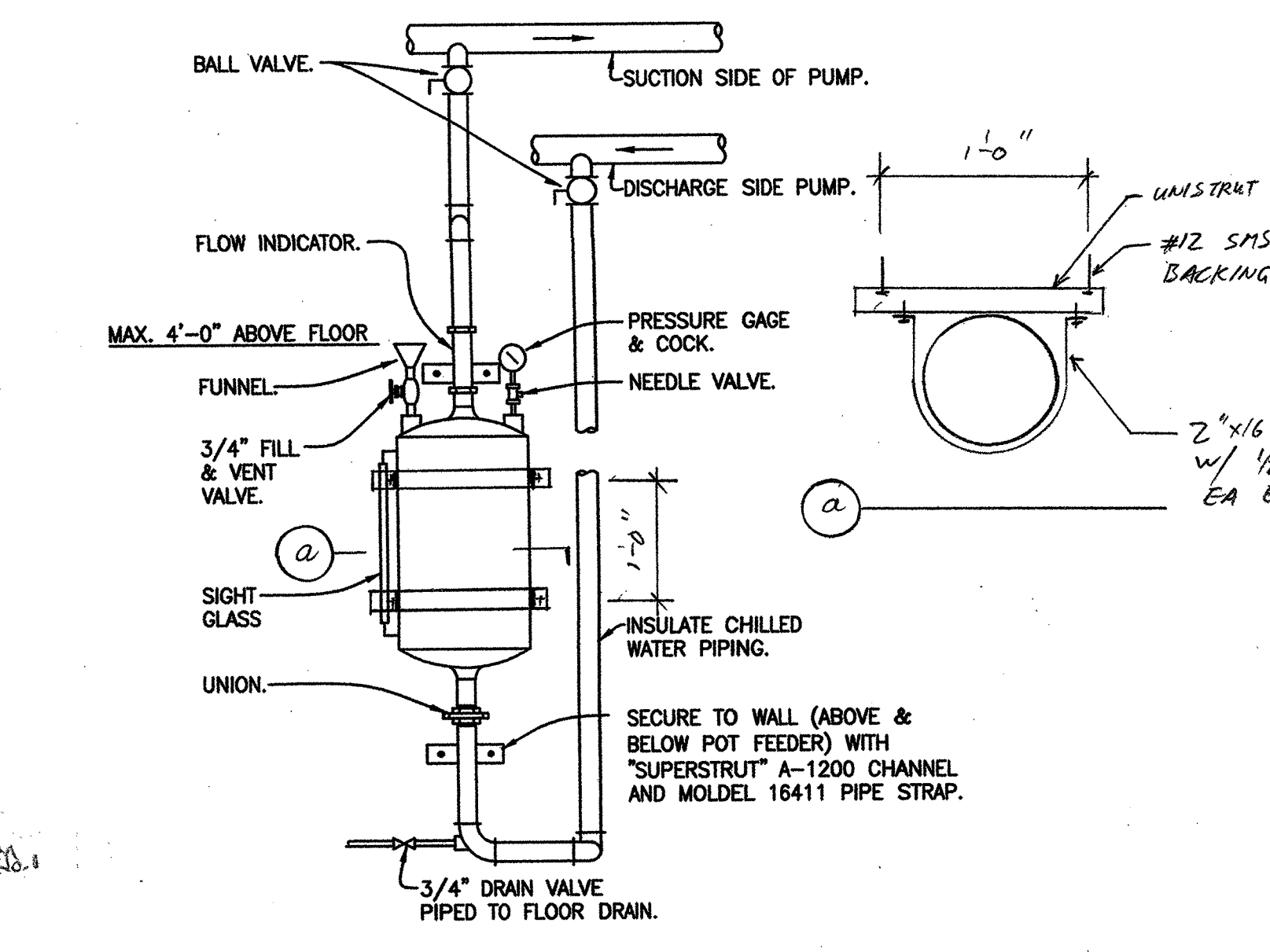
COOLING TOWER DETAIL 3 M1.0



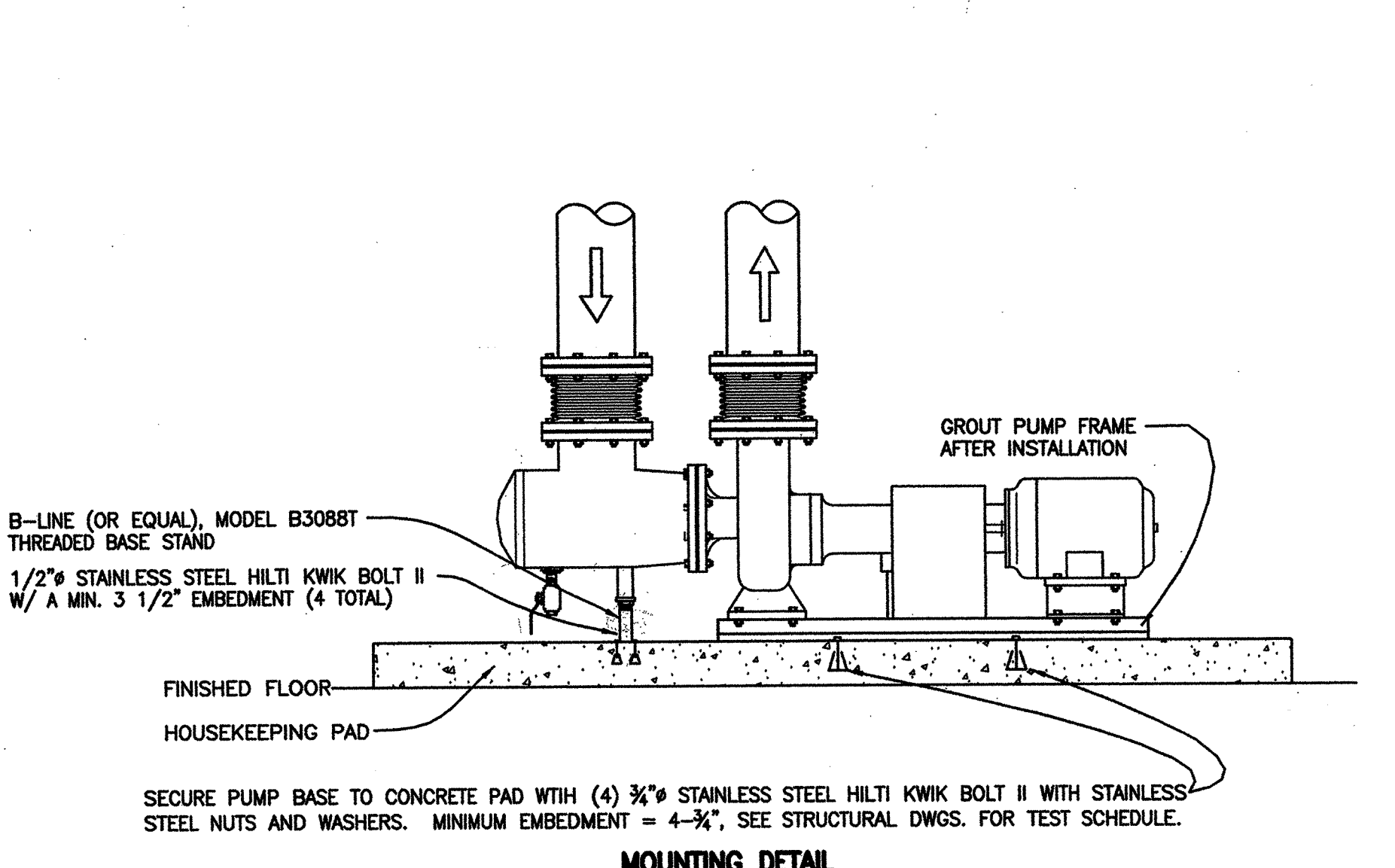
EXPANSION TANK ANCHORAGE DETAIL 4 M1.0



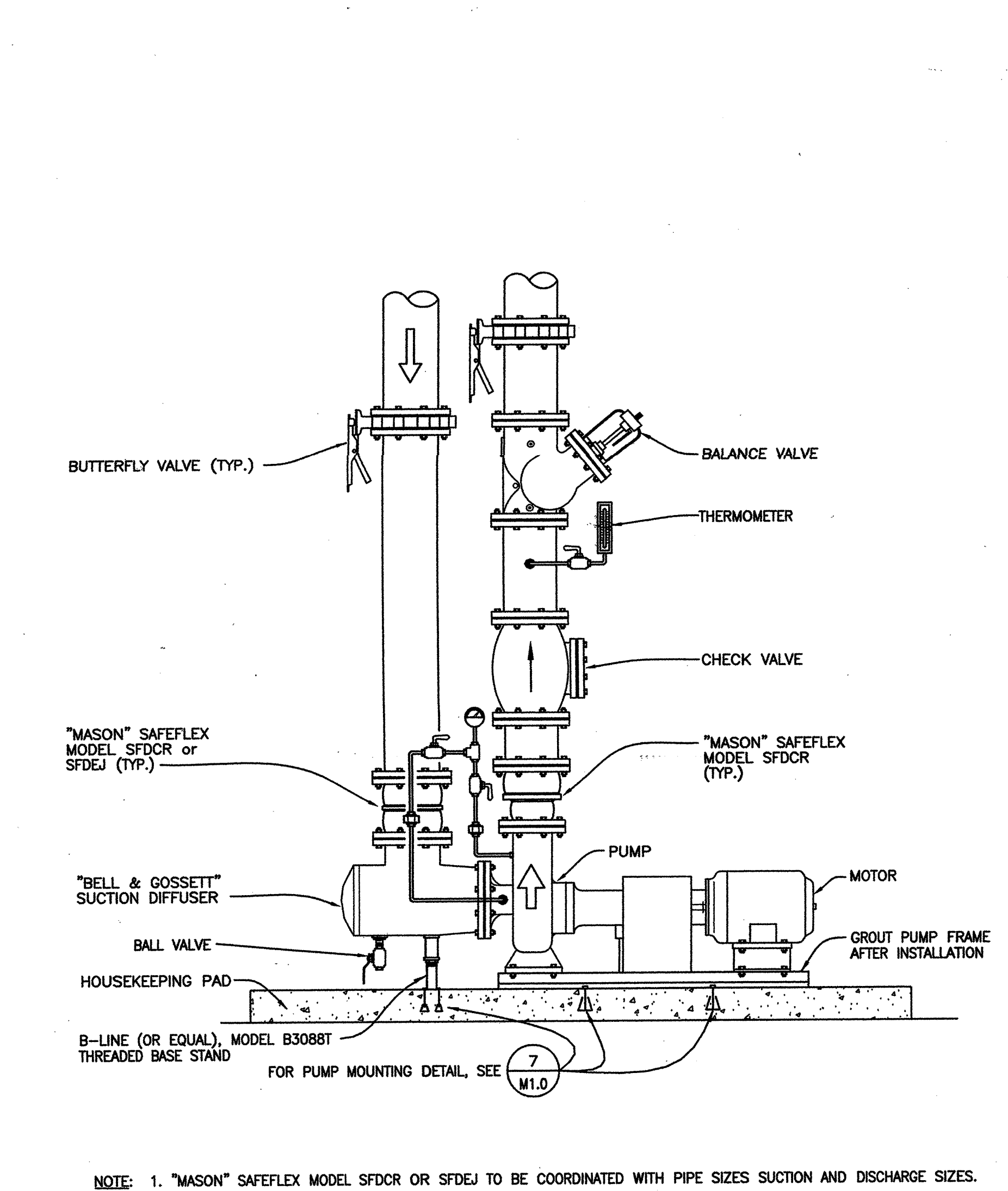
PIPE SUPPORT DETAIL 5 M1.0



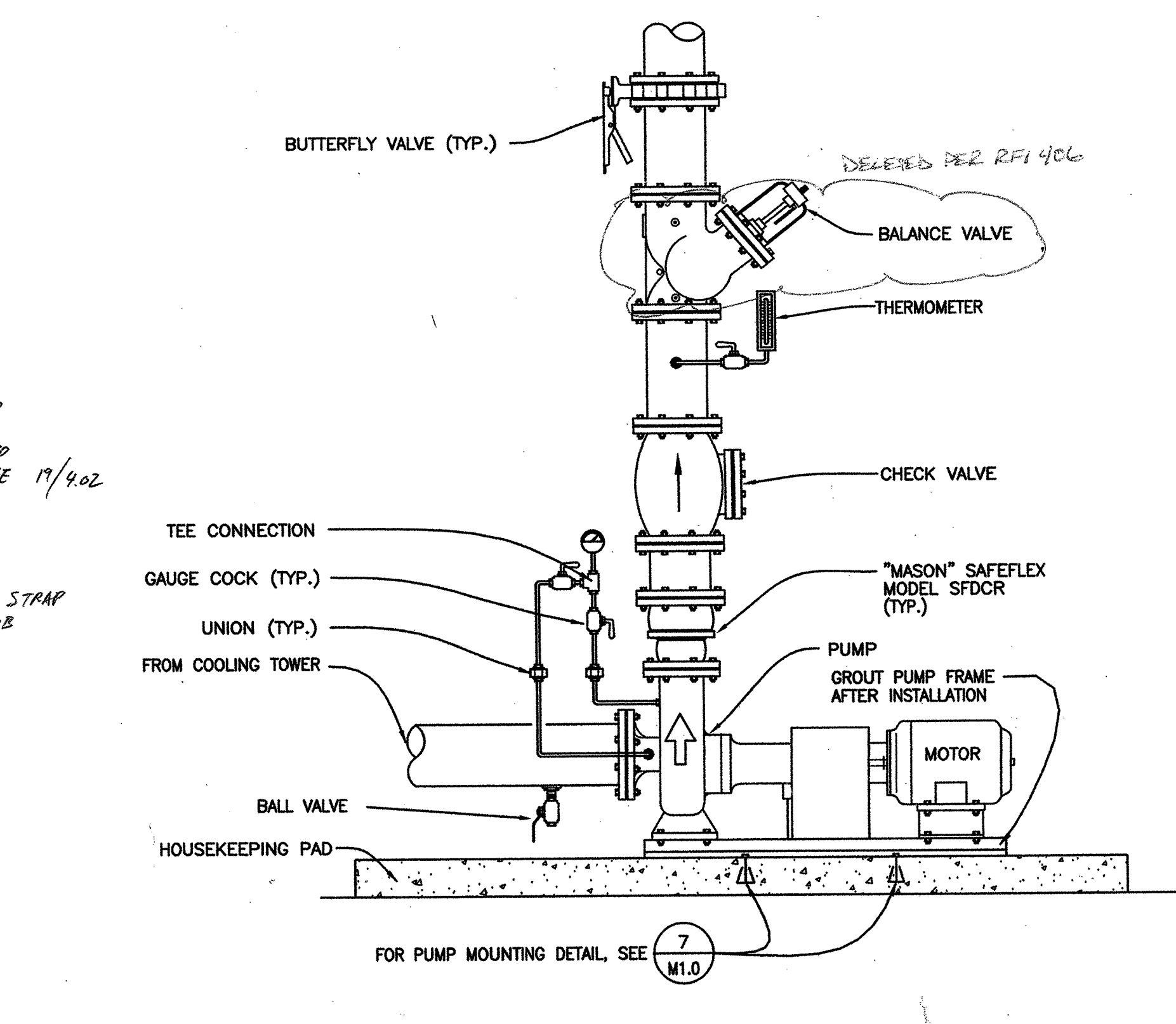
CHEMICAL POT DETAIL 6 M1.0



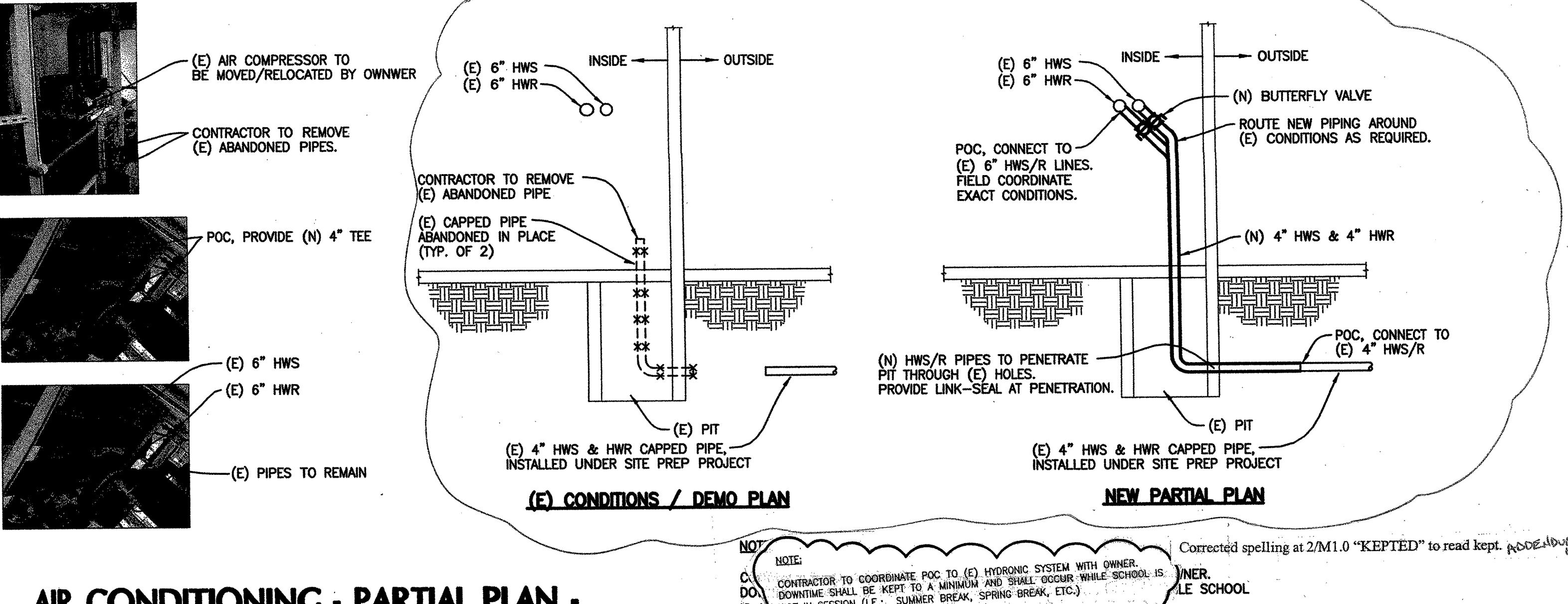
PUMP SUPPORT DETAIL 7 M1.0



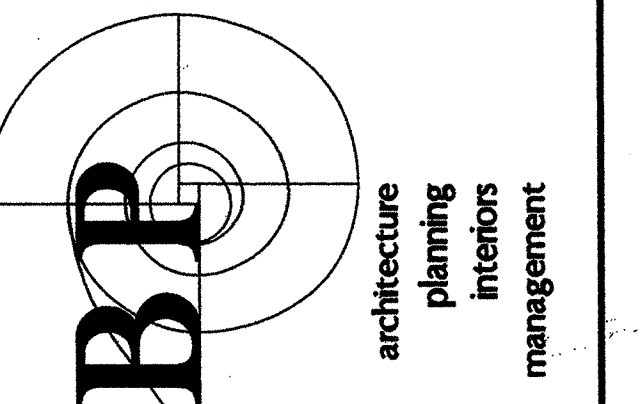
CHILLED WATER PUMP PIPING DETAIL 8 M1.0



CONDENSER WATER PUMP PIPING DETAIL 9 M1.0

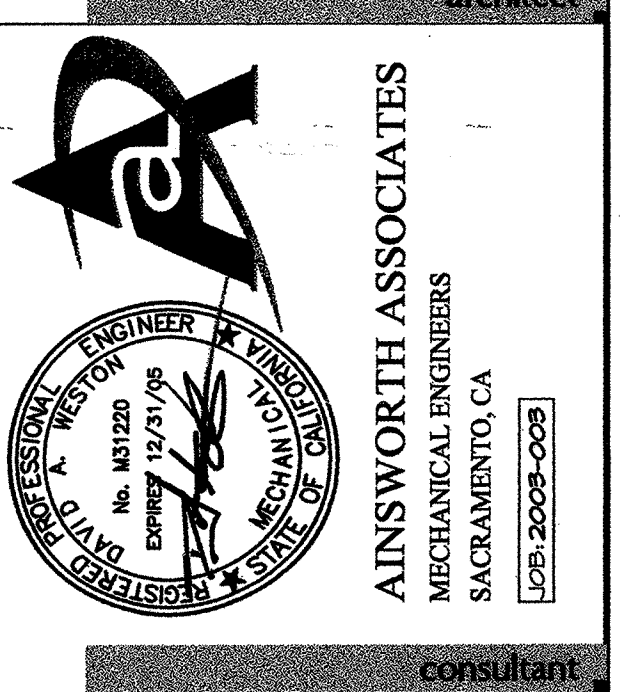


AIR CONDITIONING - PARTIAL PLAN - HWS/HWR CONNECTION TO EXISTING DETAILS 2 M1.0



architecture
planning
interiors
management

1877/Architecture
1000 Burnett Avenue, Suite 140
Concord, CA 94520
p: 925.246.6419 f: 925.246.6495



AINSWORTH ASSOCIATES
MECHANICAL ENGINEERS
SACRAMENTO, CA
CONSULTANT

name
address
city, state, zip
agency

SCIENCE BUILDING
LOS MEDANOS COLLEGE

Contra Costa Community College District

owner

BBP project number : 2024100

file name:

drawn by: checked by:

date: NOVEMBER 15, 2004

Rev. date: description:

drawing title:
AIR CONDITIONING - MECHANICAL/CHILLER/PUMP BUILDING AND DETAILS

LMC SCIENCE 313-023-11201-0-00.00

drawing no:
M1.0

drawing of ?